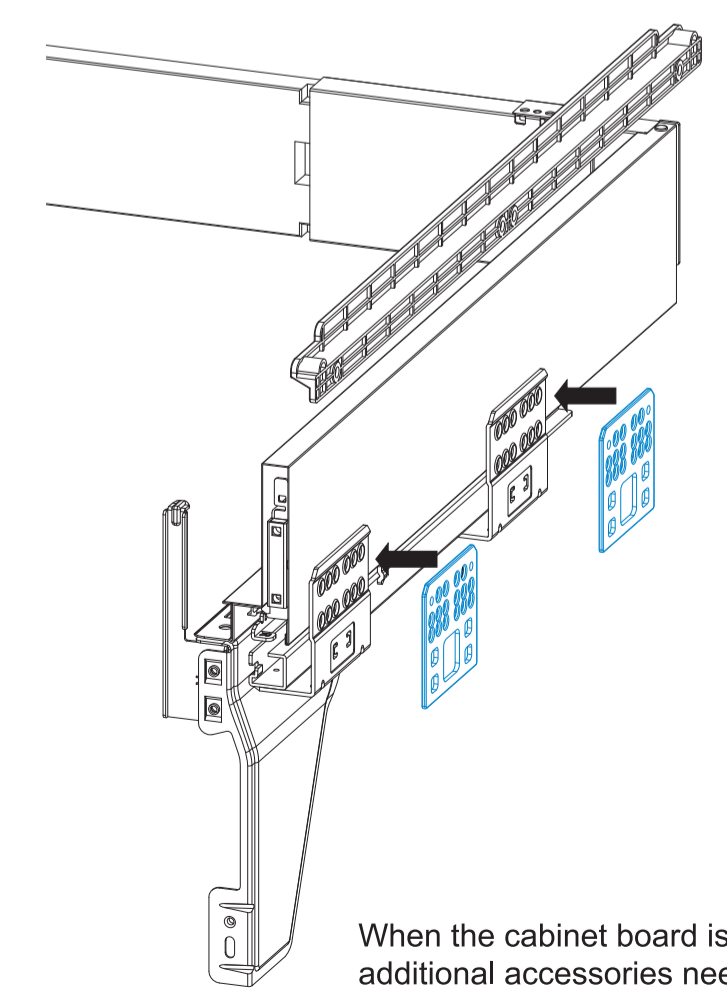
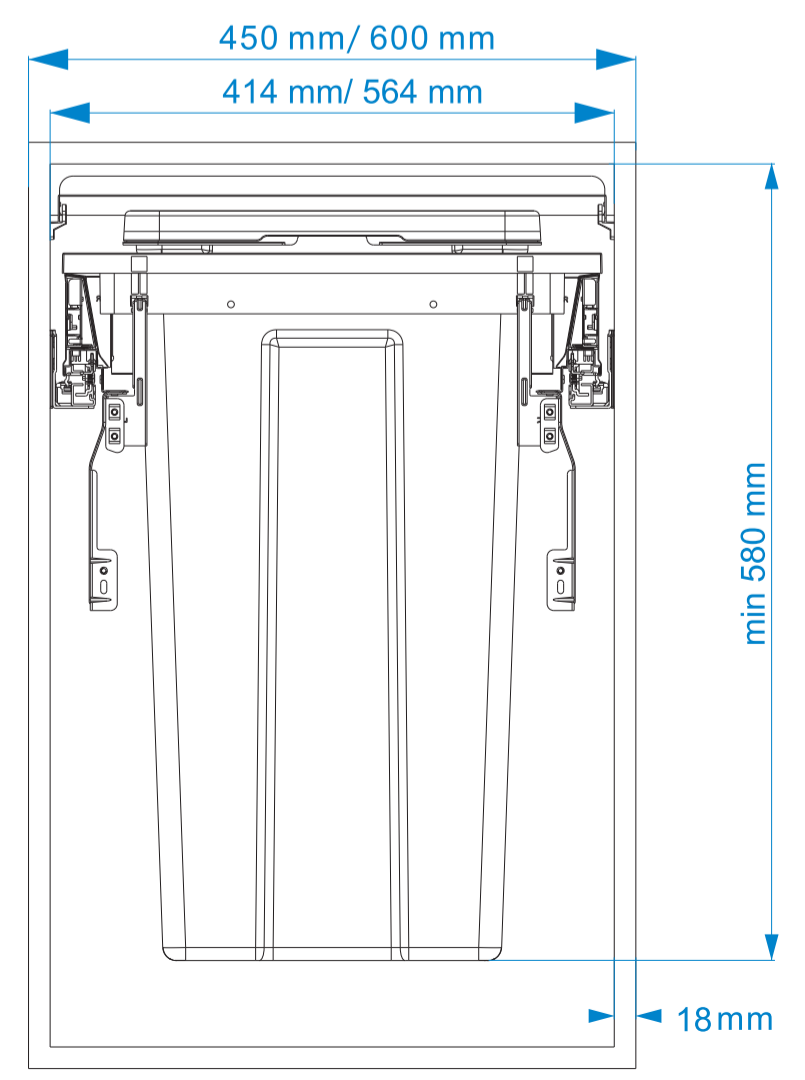


EVOLUTIONRECYCLING SYSTEM

The cabinet front

The cabinet front



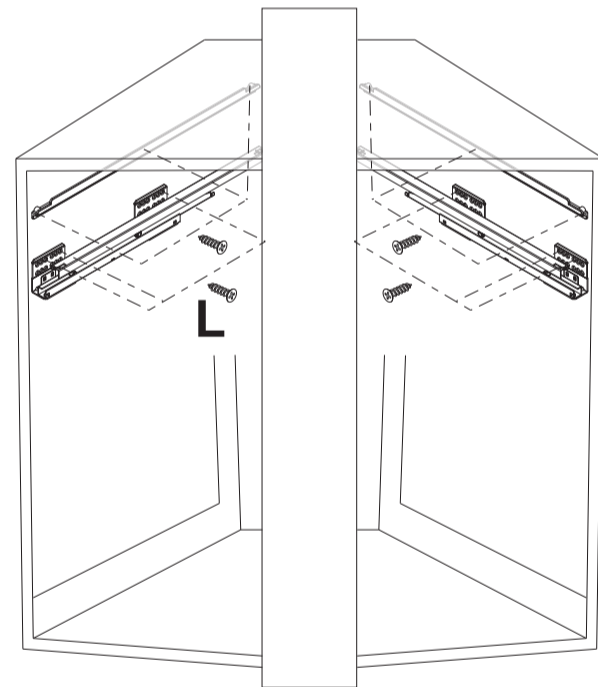
When the cabinet board is 16mm board, additional accessories need to be installed

Product Accessories List

No.	Product	Name	Code	Amount
A		Double wall drawer series		x1
		Slim drawer box series		
B		lid	S22202	x1
C		Bucket rack	S12202 / S12203	x1
D		Waste bin	S12206 / S12208	x2
E		Bucket clamp	S12207 / S12209	x2
F		Side wall bracket	S22201	x1
G		Lid bracket	S12204	x2
H		Back panel connector	S12205	x1
I		Positioning bracket card	S22204	x2
J		Iron back panel	S22205	x2
K		Bucket rack fixing components	S22206	x1
L		Self tapping screws (4x16)	/	x12
M		Self tapping screws (4x20)	/	x8
N		Countersunk fine screw (4x4)	/	x4
O		Countersunk fine screw (4x8)	/	x10
P		Countersunk self tapping screw (4x16)	/	x6

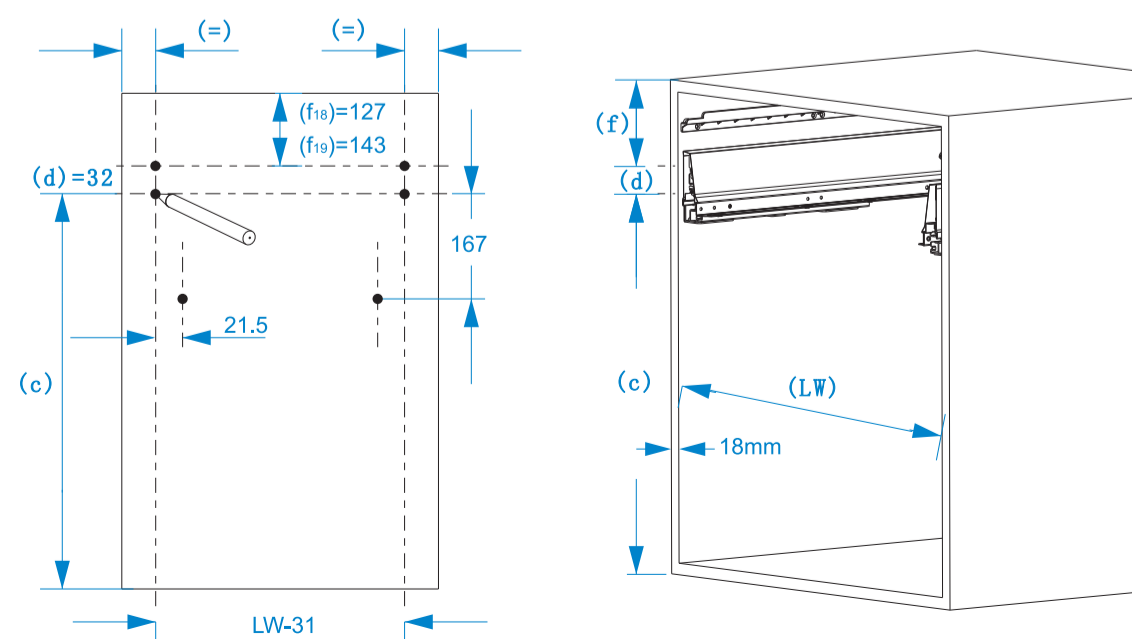
1. According to the drawing template, determine the installation position of the slide rail and top plate bracket.

First, draw the position, then pre drill the installation hole for M2.5, and then use 6 L screws to fix the slide rail and 6 L screws to fix the top plate bracket.



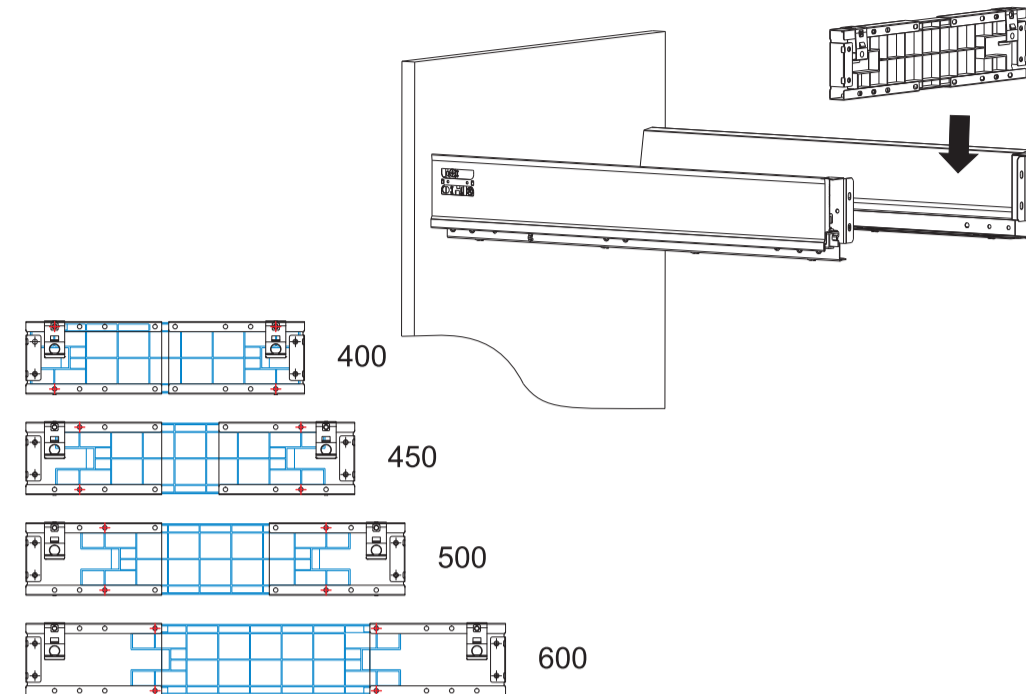
2. Draw lines on the cabinet panel, pre drill 6 pcs M2.5 installation holes, and use 4 M crews to secure the front connector of slim box to the panel.

Note: The size of f will vary accordingly with the size of Min 60.



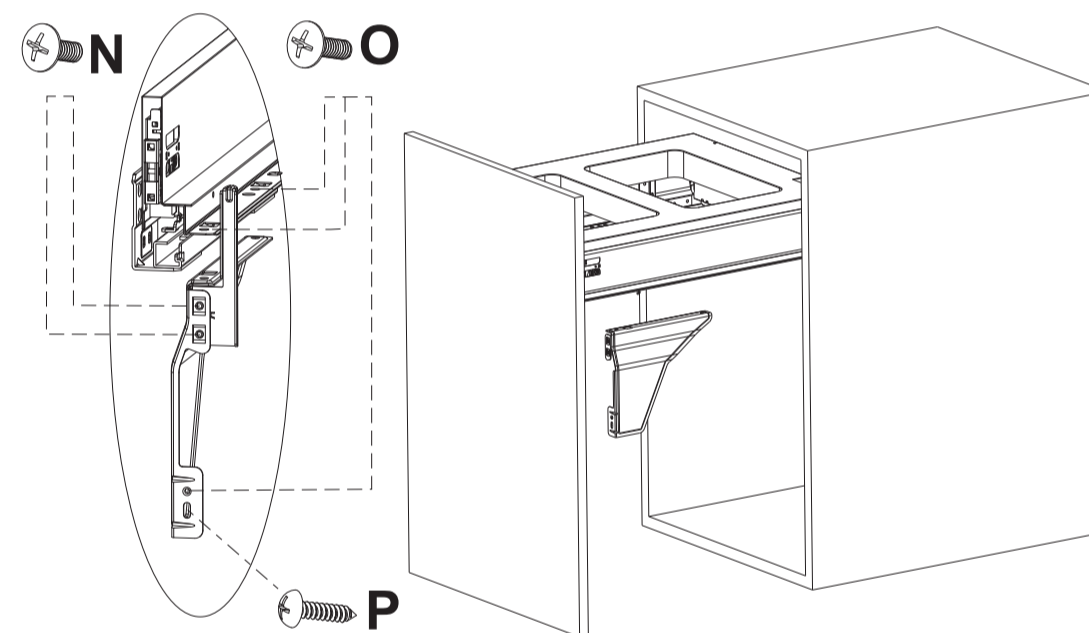
3. Use 4 P screws to fix the back panel and connectors, paying attention to the assembly space, as shown in the figure

on the right:
Use 4 more O screws to secure it to slim box.

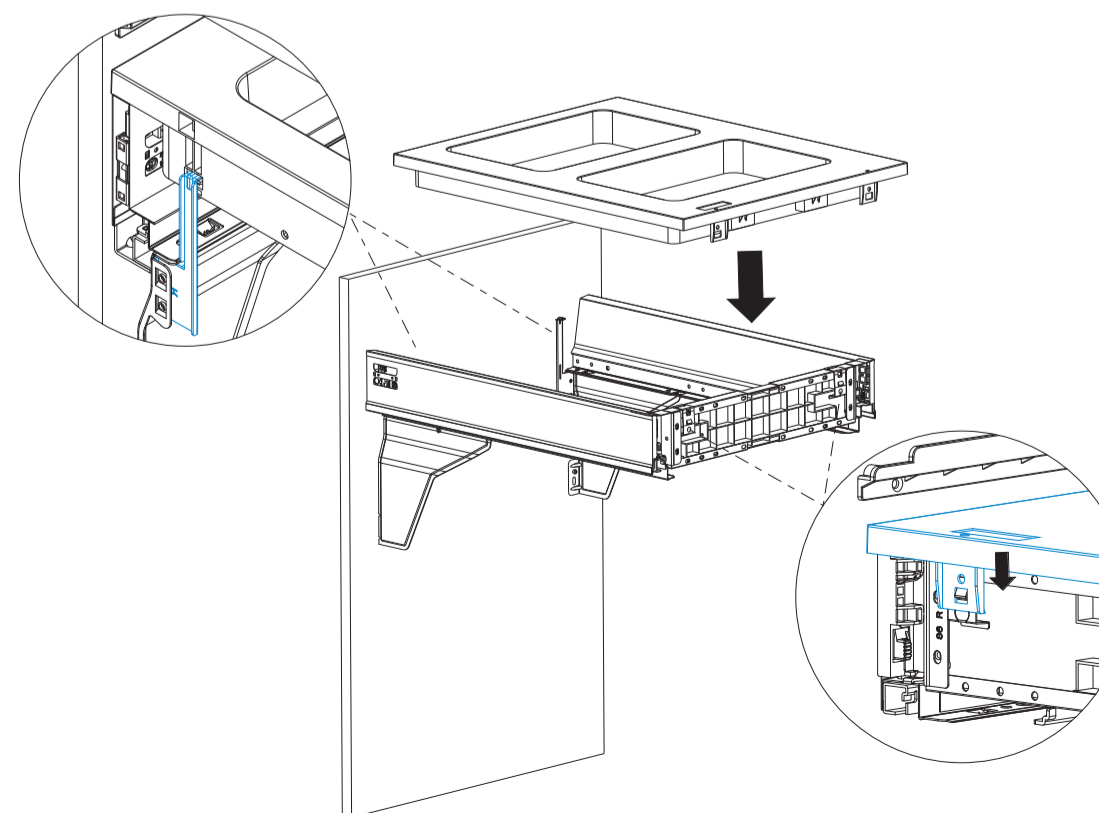


4. Use 4 N screws to firmly merge the F and K groups together, and then use 4 O screws to fix them together on the drawer.

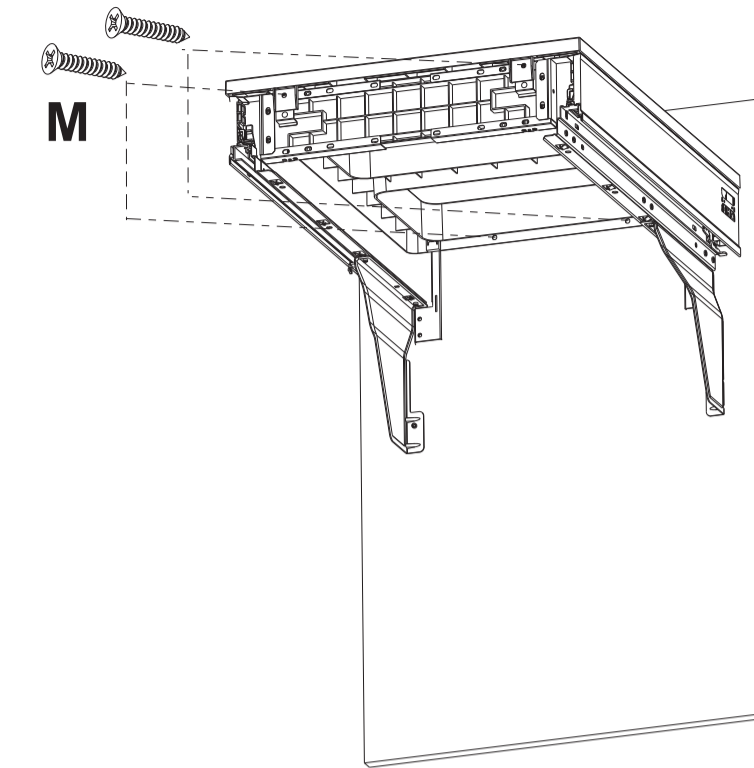
Use 2 O screws to screw into the designated position, adjust the gap between the front and back, left and right of the panel, and finally use 2 P screws to secure the panel to the drawer box.



5. Attach the front end of C to K, and then fasten the rear end of C to I to complete the installation of C.



6. When there is a need for further reinforcement, 4 M screws can be used to reinforce C.



7. Tilt B above G, paying attention to the two curved limit points in front and back, and clamp the curved points on the limit points of G.



8. Place 2 waste bins D and clamp 2 can clips E to complete the installation.

